

RXD1

315/434 MHZ
Hybrid
Receiver

- Ideal for 315/434MHz Remote Keyless-Entry Receives.

The RXD1 is a miniature receiver module that receives On-off keyed (OOK) modulation signal and demodulated to digital signal for the next decoder stage. Local Oscillator is made of LC structure. The result is excellent performance in a simple-to-use, with a low external component count. The RXD1 is designed specifically for remote-control and wireless security receiver operating at 315/434Mhz in the USA under FCC Part 15 regulation.

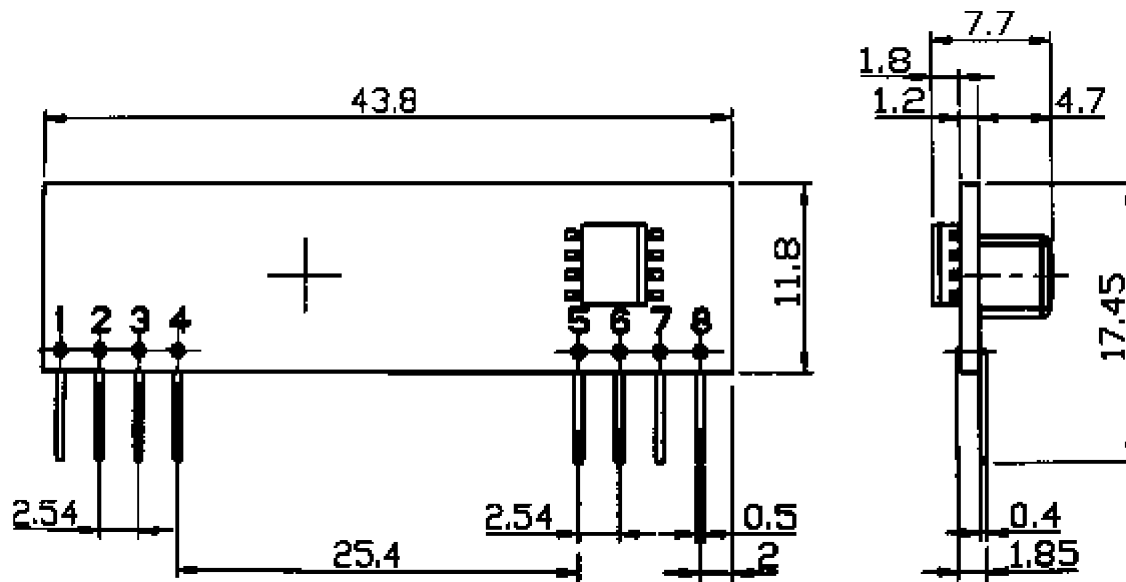
Absolute Maximum Ratings

Rating	Value	Units
Power Supply and/or Modulation Input Voltage	5	V
Operating temperature	-20 to +80	•

Receiver Characteristics

Parameter	Symbol	Condition	Value			Unit
			min.	typ.	max.	
Sensitivity	Psens	Vcc=5.0V, AT25 •, BER=3/100, 2Kbps	315MHz	-105	-103	dBm
			434MHz	-104	-102	dBm
ASKOUT logic HIGH	VOH	Iload = 10uA	0.7*Vcc			V
ASKOUT logic LOW	VOL	Iload = 10uA			0.3*Vcc	V
Supply current	Icc			3.3	3.6	mA
Supply voltage Range	Vcc		+4.75	+5	+5.25	V
Data Rate			200	2K	6K	bps
RF Bandwidth-3dB				4M		Hz

Mechanical Characteristics:



Pin-out:

- | | |
|-------|--------|
| 1.ANT | 5.VCC |
| 1.GND | 6.DATA |
| 2.GND | 7.DATA |
| 3.VCC | 8.GND |