



昂欣 企業有限公司

ON SHINE ENTERPRISE CO.,LTD.

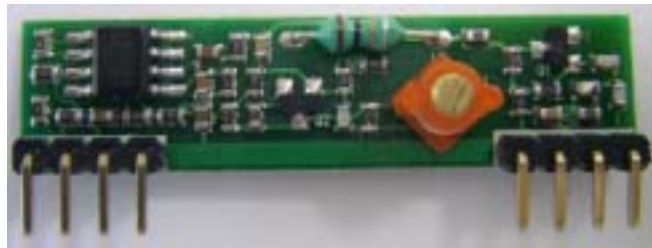
11F. NO 722-6. JING PING ROAD
 CHUNG HO CITY TAIPEI TAIWAN
 TEL:886-2-22496895 FAX:886-2-22496175
 E-mail:onsshine@ms27.hinet.net

RX MODULE

MODELNO:RXA11-XXXMHz

REV.NO.:1

The Module's Frequency is From UHF ASK 280~434MHz.
 High sensitivity Passive Design.
 4800 B/S Baseboard Data Rate.
 Simple To Apply With Low External Parts Count.
 Low Supply Voltage : Vcc = 5 Vdc
 ASK Data Shaping Comparator Included.



General description

The RXA11 is a miniature receiver module that receives On-off keyed (OOK) modulation signal and demodulated to digital signal for the next decoder stage. Local Oscillator is made of L/C structure..The result is excellent performance in a simple-to-use.

The RXA11 is designed specifically for unlicensed remote-control and wireless security receiver operating at 315/434MHz in the USA under FCC Part 15 regulation


Application

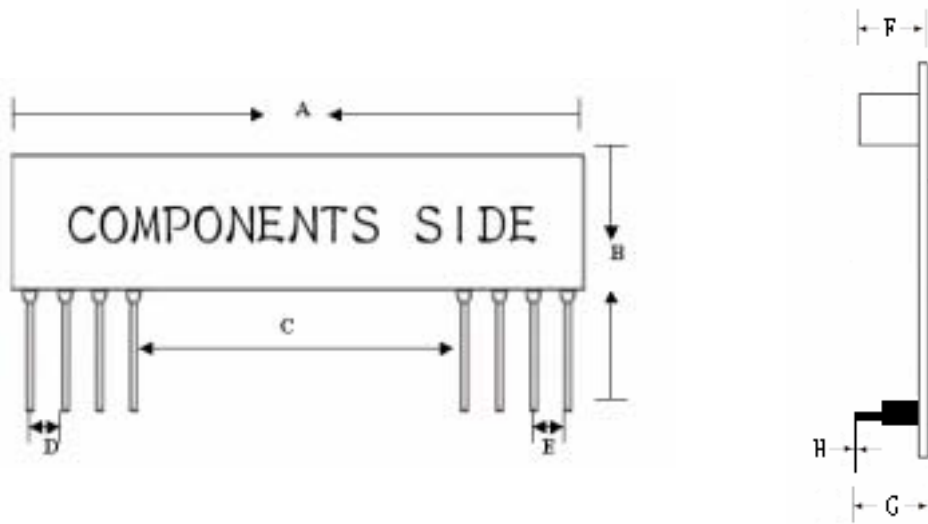
- Home security systems
- Car Alarm systems
- Remote gate controls
- Sensor reporting

A.SPECIFICATION

ITEM NO	PARAMETER	DESCRIPTION	VALUE			
			MIN	TYP	MAX	UNIT
1.	Operating Radio Frequency		280~434			MHz
2.	Sensitivity	Vcc5.0,AT25C BER=3/100		-103		dBm
3.	Modulation			ASK		
4.	Power Supply		4.75	5	5.25	v
5.	Supply Current			4	4.5	mA
6.	Data Rate			3		
7.	Operating Temperature		-20		+80	
8.	RF Bandwidth-3dB			4		MHz

B.DIMENSION

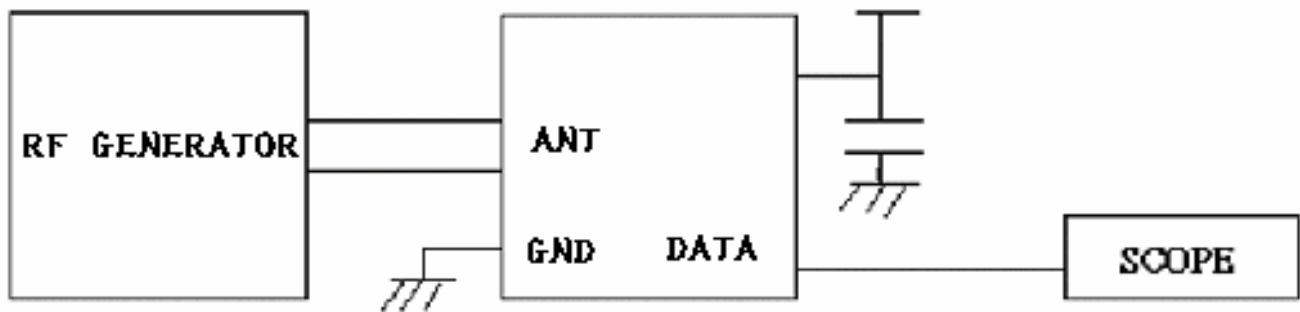
PIN	Connections	TOP VIEW
1	GND	
2	DIGITAL OUTPUT	
3	LINEAR OUTPUT	
4	VCC	
5	VCC	
6	GND	
7	GND	
8	ANT	



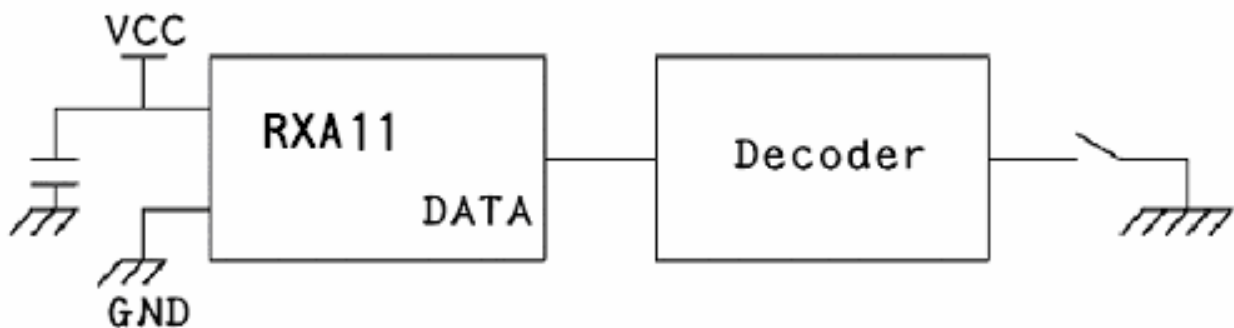
Dimensions	Millimeters	Dimensions	Millimeters
A	43.5	F	6.7
B	10.9	G	4.8
C	25.8	H	0.75
D	2.54		
E	2.54		

UNIT : mm

C.TYPING TEST CIRCUIT



D.TYPICAL RECEIVER APPLICATION



Notes:

1. Encoder : HT12D/F , PTC (2262)
2. Antenna : Length = 22.6cm for 315MHz ; Length = 17.2cm for 434MHz